

DEARBORN

Economy Scraper 65", 19-147, Series 714-1

Landscaper 65", 19-148, Series 714-2

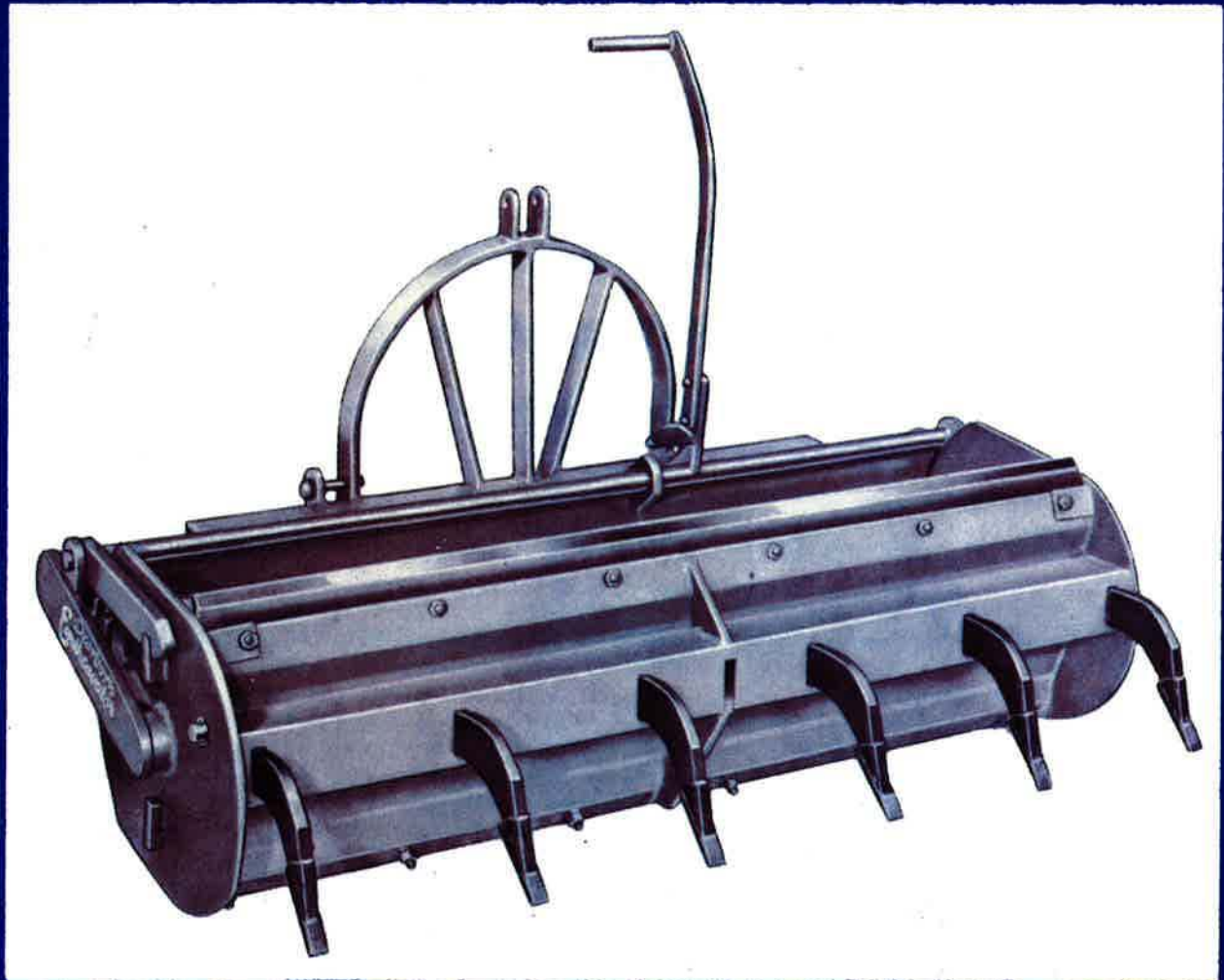
Landscaper 72", 19-149, Series 714-3

Earthcavator . . . 65", 19-150, Series 715-1

Earthcavator . . . 72", 19-151, Series 715-2

Earthcavator . . . 80", 19-152, Series 715-3

PARTS BOOK



NOVEMBER, 1958

TRACTOR AND IMPLEMENT DIVISION

Ford Motor Company,

2500 East Maple Road, Birmingham, Michigan

www.ntractorclub.com

Copyright 1958, Ford Motor Company, Dearborn, Michigan

Scraper

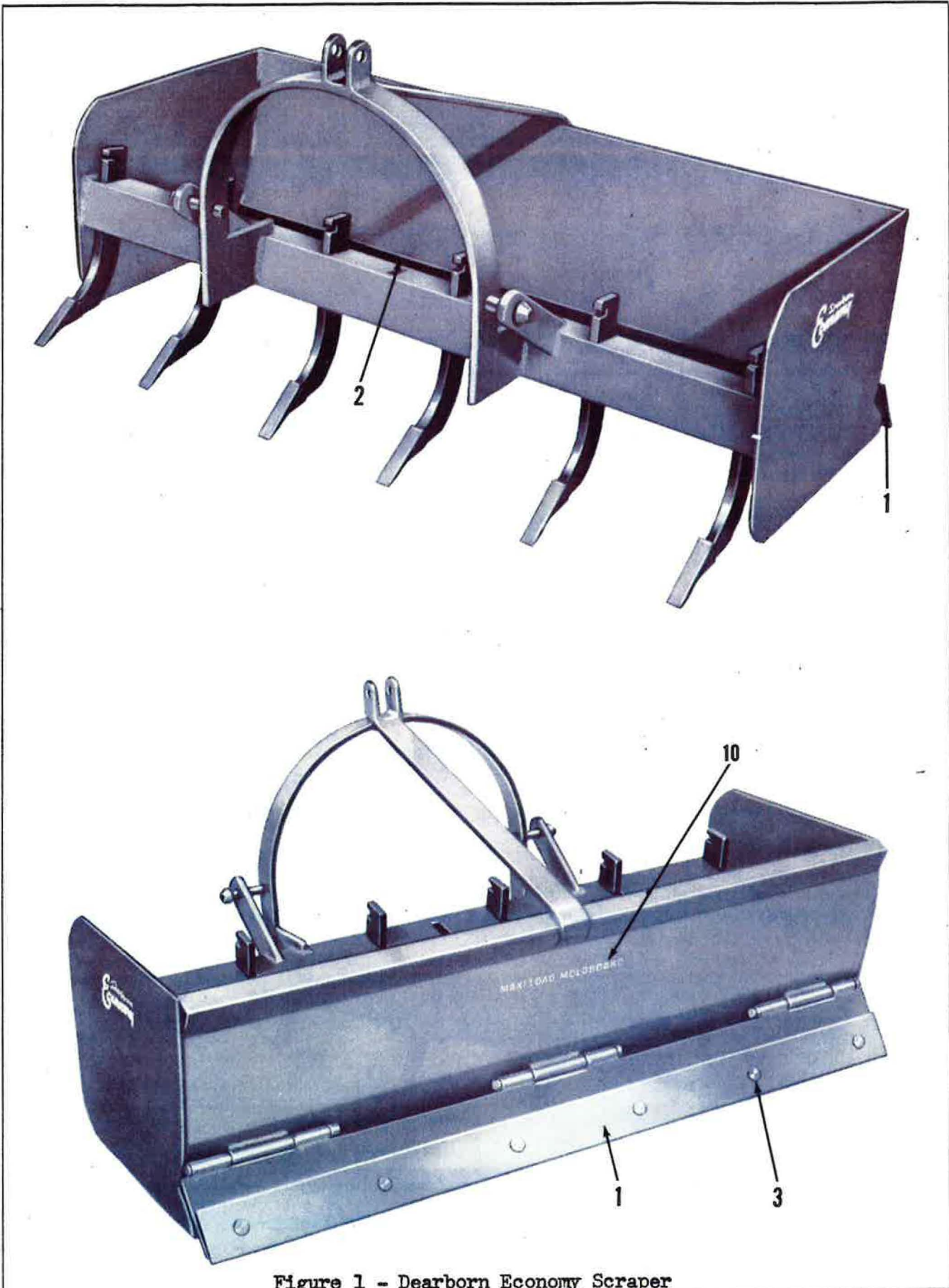


Figure 1 - Dearborn Economy Scraper

Scraper

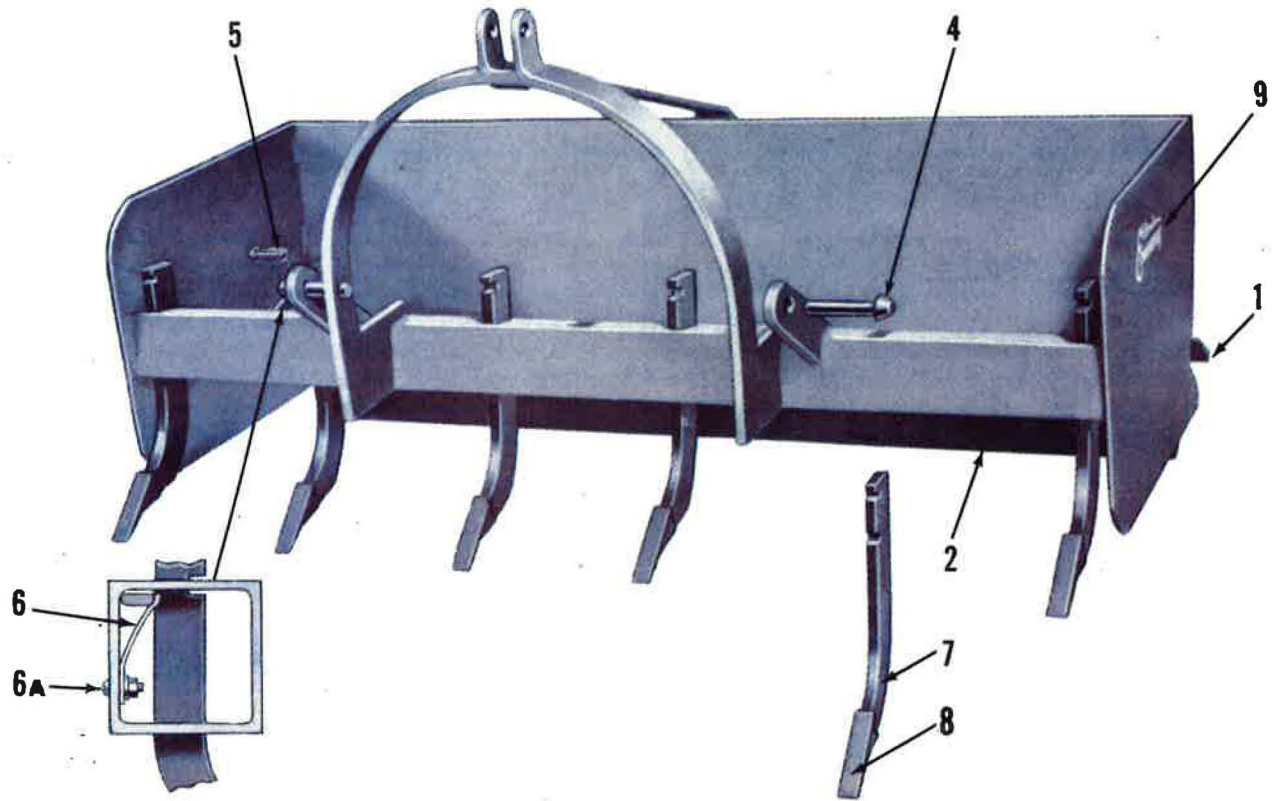


Figure 1 - 19-147 Dearborn Economy Scraper

FIG.	PART NO.	NAME AND DESCRIPTION	QTY. REQ.
1		GROUP 1-1 DEARBORN ECONOMY SCRAPER, MODEL 19-147	19-147
1	114449	BLADE, Back, 4 x 65-1/2 x 3/8	1
2	114374	BLADE, Front, 6 x 64-7/8 x 1/2	1
3	301204-S	BOLT, 5/8 - 11 x 1-3/4 Flaw)	12
-	44746-S	WASHER, 3/4 Flat (Back)) Blade to Hinge (6)	6
-	34811-S	LOCKWASHER, 5/8 (Back)) Blade to Moldboard (6)	6
-	33849-S	NUT, 5/8 - 11 Hex)	12
4	114373	PIN, Drawbar, 7/8 x 4	2
5	114528	PIN, Shank Lock	1
6	114451	SPRING, Lock Bar	2
6A	27782-S	BOLT, 1/4 - 20 x 1 Rd Hd)	
--	34805-S	LOCKWASHER, 1/4) Spring to Tool Bar Angle .	2
--	34095-S	NUT, 1/4 - 20 Square)	
7	114452	SHANK, Scarifier	6
8	114590	POINT, Scarifier	6
9	114395	DECAL, Dearborn Economy - End Plate	2
10	114588	DECAL, Maxi-Load Moldboard - Rear Moldboard	1
--	114589	DECAL, Positive Locked Ripping Teeth - Tool Bar	1

Earthcavator

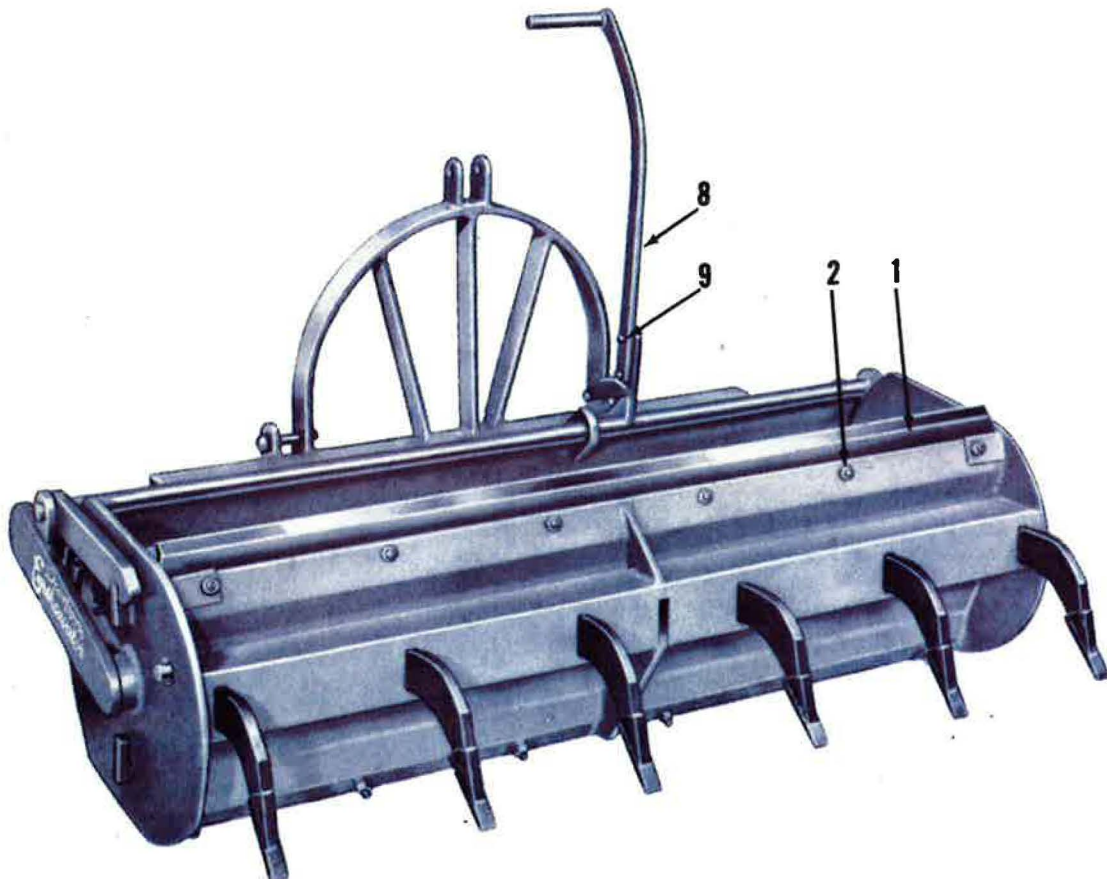
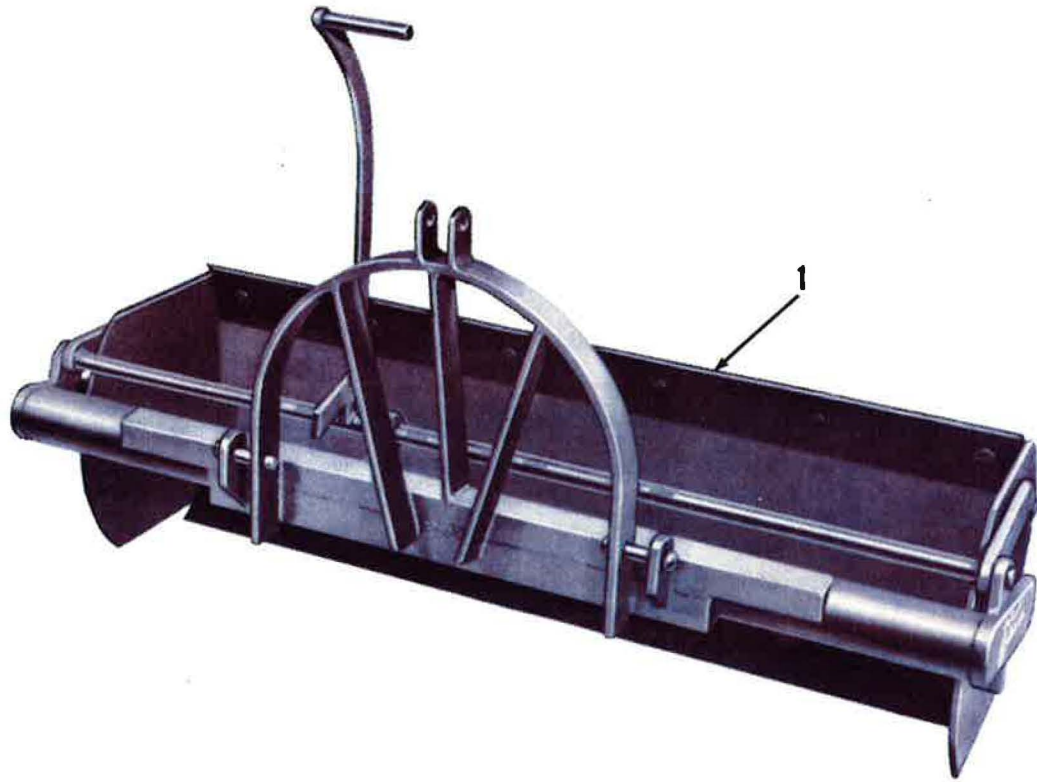


Figure 2 - Dearborn Earthcavator

Earthcavator

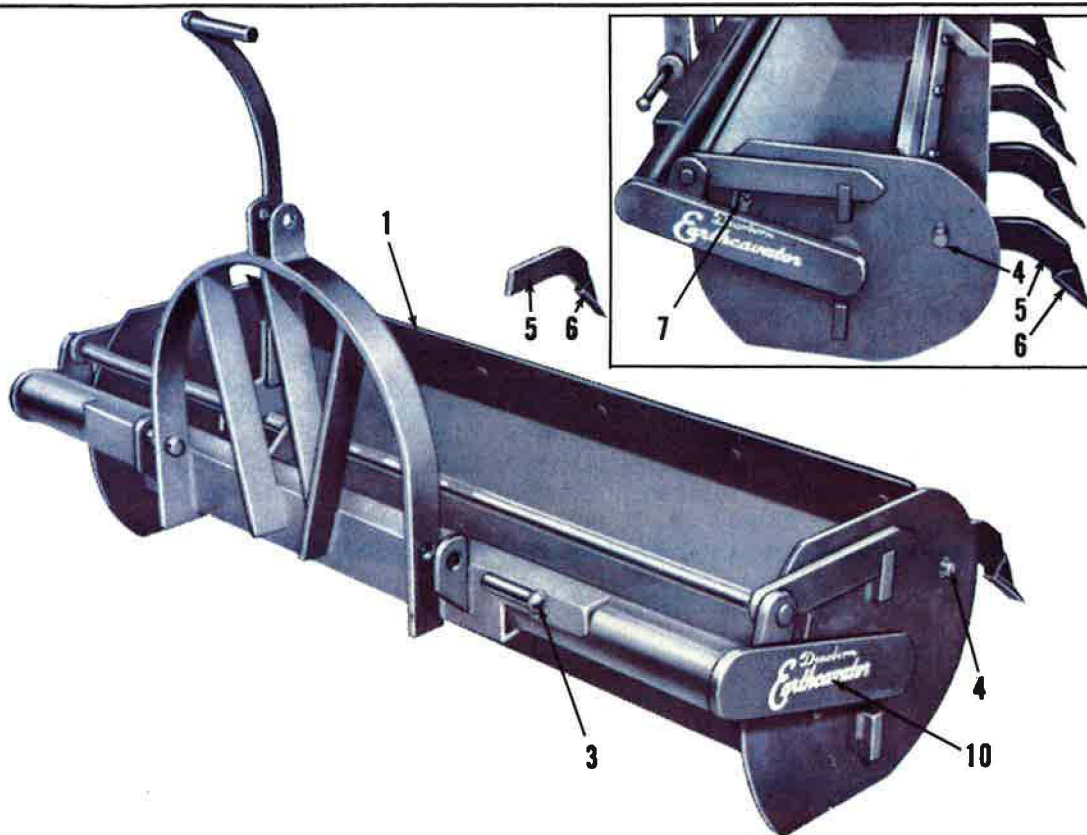


Figure 2 - Dearborn Earthcavator

FIG.	PART NO.	NAME AND DESCRIPTION	QTY. REQ.		
			19-150	19-151	19-152
2		(Dearborn Earthcavator, Model 19-150, 65" GROUP 1-2 (Dearborn Earthcavator, Model 19-151, 72" (Dearborn Earthcavator, Model 19-152, 80"			
1	114374	BLADE, Scraper, 6 x 64-7/8 x 1/2	2		
-	114340	BLADE, Scraper, 6 x 71-7/8 x 1/2		2	
-	114418	BLADE, Scraper, 6 x 79-7/8 x 1/2			2
2	301204-S	BOLT, 5/8 - 11 x 1-3/4 Flow) Blade to Moldboard	12	12	14
-	33849-S	NUT, 5/8 - 11 Hex	12	12	14
3	114373	PIN, Drawbar, 7/8 x 4	2	2	
-	114406	PIN, Drawbar, 1-1/8 x 4-3/4			2
4	114371	ROD, Tool Bar, 3/4 x 67	1		
-	114339	ROD, Tool Bar, 3/4 x 73-7/8		1	
-	114417	ROD, Tool Bar, 3/4 x 82-1/8			1
-	72073-S	COTTER PIN, 3/16 x 1-1/2	2	2	2
5	114376	SHANK, Scarifier	6	7	7
6	114590	POINT, Scarifier	6	7	7
7	114363	SPRING, Extension, 13/16 x 2-13/16	2	2	2
8	114361	HANDLE, Earthcavator	1	1	
-	114407	HANDLE, Earthcavator			1
9	20469-S	BOLT, 3/8 - 24 x 1-1/2 Hex Hd)			
-	34807-S	LOCKWASHER, 3/8) Handle to Trip . . .	2	2	2
-	33800-S	NUT, 3/8 - 24 Hex)			
10	114393	DECAL, Dearborn Earthcavator - Pivot Arms	2	2	2
--	114589	DECAL, Positive Locked Ripping Teeth - Tool Bar . .	1	1	1
--	114588	DECAL, Maxi-Load Moldboard - Moldboard	1	1	1

Landscaper

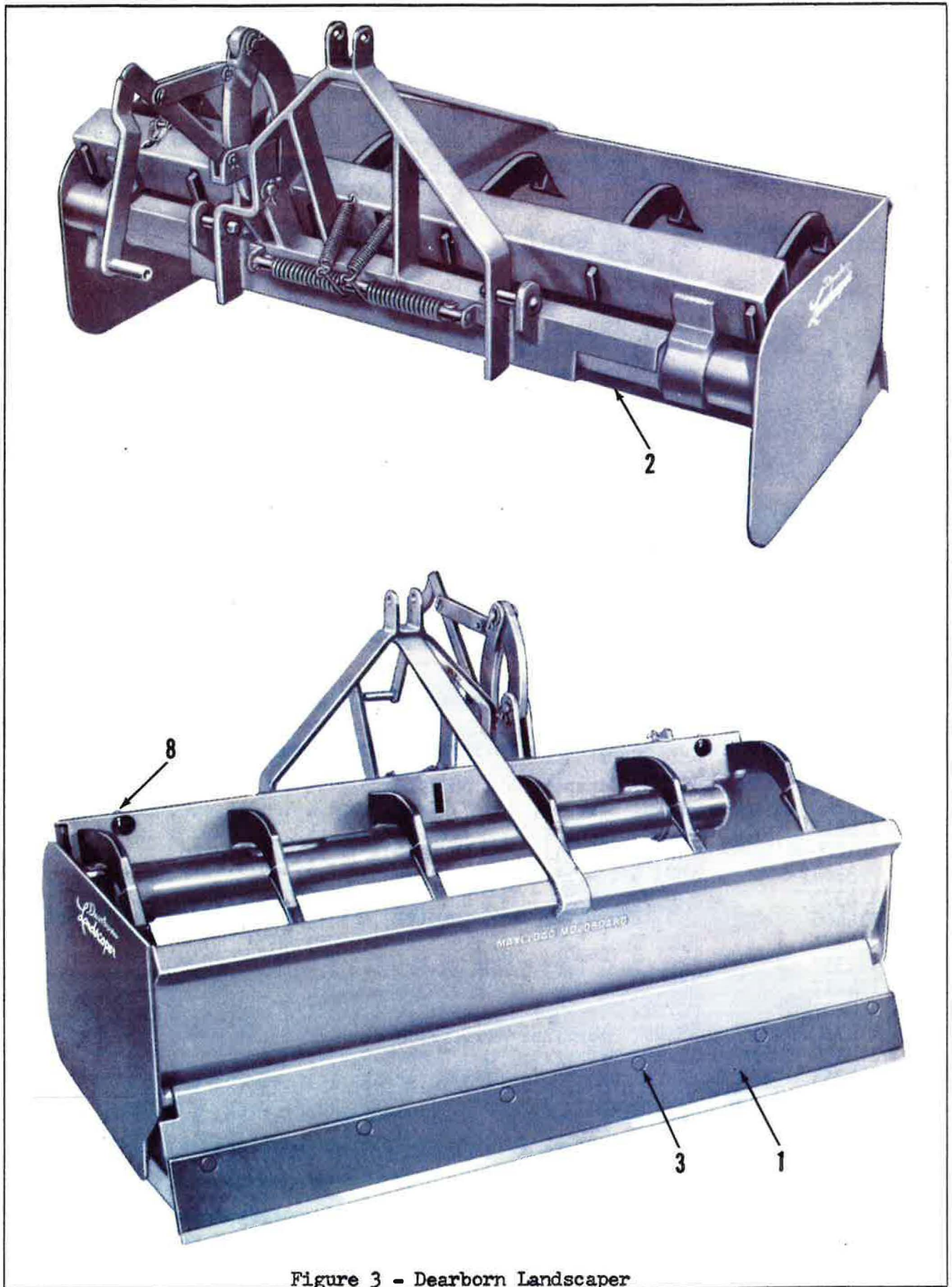


Figure 3 - Dearborn Landscaper

Landscaper

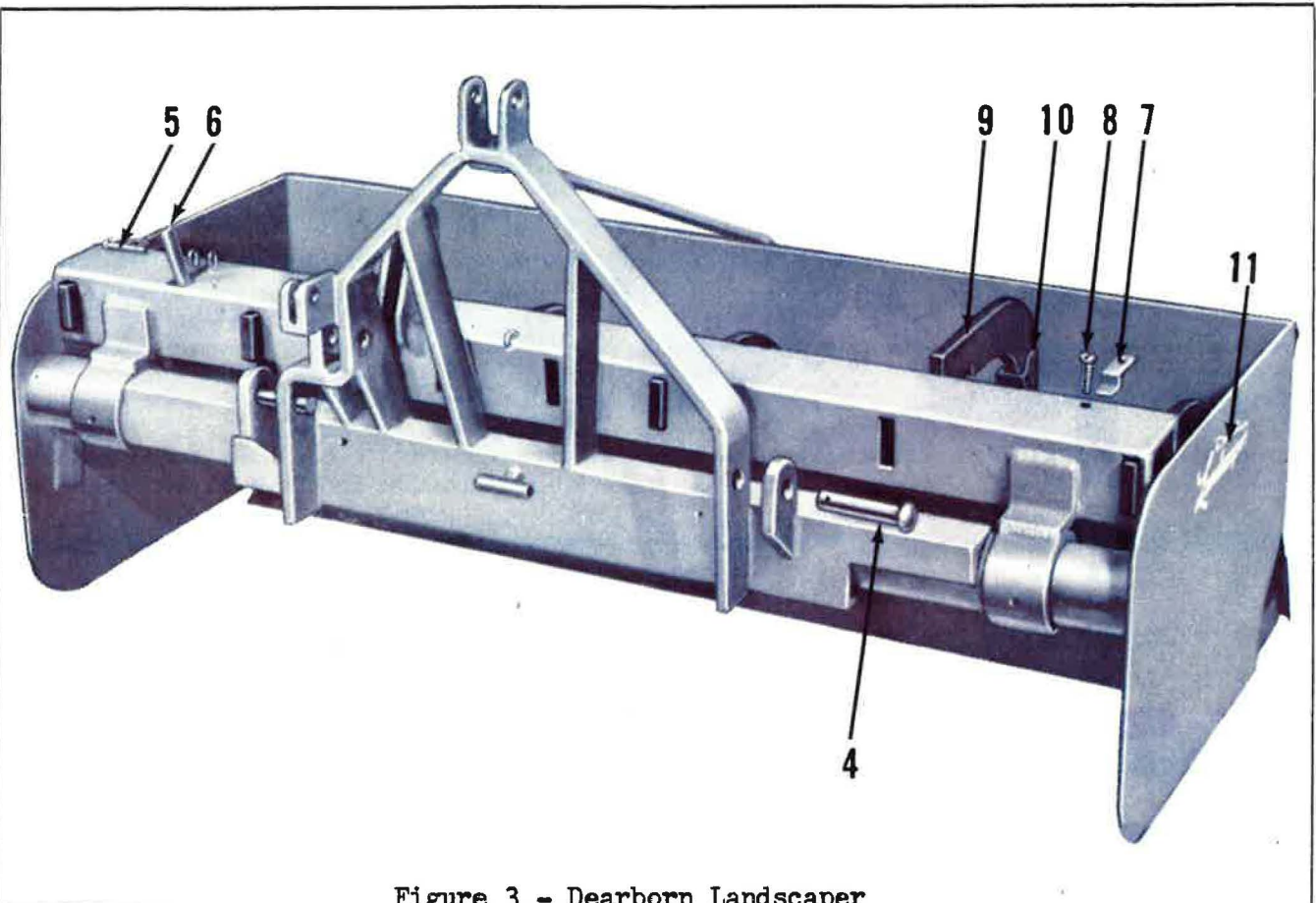


Figure 3 - Dearborn Landscaper

FIG.	PART NO.	NAME AND DESCRIPTION	QTY. REQ.	
3		GROUP 1-3 (Dearborn Landscaper, 65", Model 19-148 (Dearborn Landscaper, 72", Model 19-148)	8 19-148	6 19-149
1	114536	BLADE, Backfill, 6 x 65-1/2 x 1/2	1	
-	114475	BLADE, Backfill, 6 x 72 x 1/2		1
2	114374	BLADE, Scraper, 6 x 64-7/8 x 1/2	1	
-	114340	BLADE, Scraper, 6 x 71-7/8 x 1/2		1
3	301204-S	BOLT, 5/8 - 11 x 1-3/4 Flaw)	12	12
-	44736-S	WASHER, 3/4 Flat (Blackfill))	6	6
-	34811-S	LOCKWASHER, 5/8 (Blackfill)) Blade to Moldboard	6	6
-	33849-S	NUT, 5/8 - 11 Hex)	12	12
4	114373	PIN, Drawbar, 7/8 x 4	2	2
5	114528	PIN, Shank Lock	1	1
6	114445	BAR, Lock	1	
-	114478	BAR, Lock		1
7	114451	SPRING, Lock	2	2
8	27782-S	BOLT, 1/4 - 20 x 1 Rd Hd)		
-	34805-S	LOCKWASHER, 1/4) Spring to Tool Bar	2	2
-	34095-S	NUT, 1/4 - 20 Square)		
9	114452	SHANK, Scarifier	6	8
10	114590	POINT, Scarifier	6	8
11	114394	DECAL, Dearborn Landscaper	2	2
--	114589	DECAL, Positive Locked Ripping Teeth	1	1
--	114588	DECAL, Maxi-Load Moldboard	1	1

Landscaper

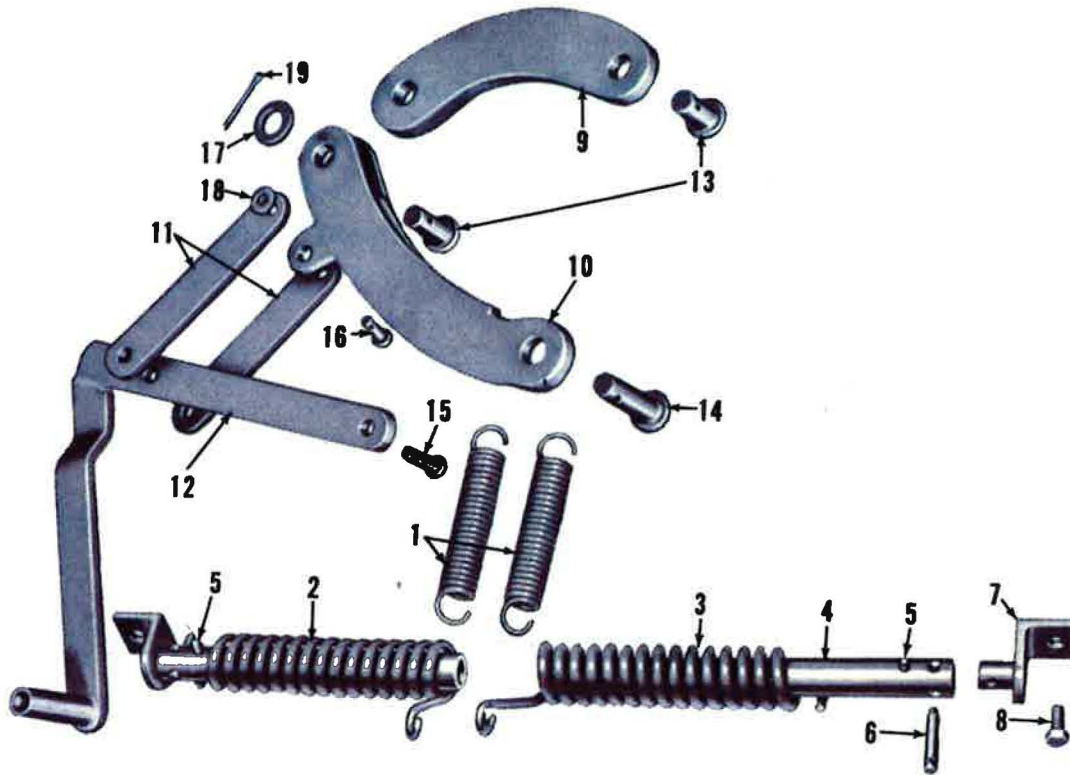


Figure 4 - Control & Spring Parts

FIG.	PART NO.	NAME AND DESCRIPTION	QTY.	REQ.
4		GROUP 1-4 (Dearborn Landscaper, 65", Model 19-1148 (Dearborn Landscaper, 72", Model 19-1149)	87T-61	67T-61
1	114522	SPRING, Extension, 1 x 5-3/8	2	2
2	114488	SPRING, Torsion, Right	1	1
3	114489	SPRING, Torsion, Left	1	1
4	114497	HOLDER ASSEMBLY, Spring	2	2
5	305125	Consists of Holder plus: PIN, Roll, 5/16 x 1-3/4	2	2
6	305125	PIN, Roll, 5/16 x 1-3/4	2	2
7	114511	BRACKET, Spring Holder	2	2
8	20348-S8	BOLT, 3/8 - 16 x 3/4 Hex Hd)	2	2
-	34807-S	LOCKWASHER, 3/8) Bracket to Frame	2	2
9	114504	ARM, Lift, Lower	1	1
10	114503	ARM, Lift, Upper	1	1
11	114505	LINK, Handle Connecting	2	2
12	114485	HANDLE, Lift	1	1
13	114507	PIN, .88 x 2.00 Headed, Drld	2	2
14	114508	PIN, Lift Arm, 7/8 x 3-1/2	1	1
15	114500	PIN, .5 x 2.00 Headed, Drld	3	3
16	114502	PIN, .5 x 1.62 Headed, Drld	2	2
17	44750-S8	WASHER, 7/8 Flat	3	3
18	44734-S	WASHER, 1/2 Flat	5	5
19	72109-S	COTTER PIN, 3/16 x 2	3	3
--	72044-S	COTTER PIN, 1/8 x 1-1/8	5	5